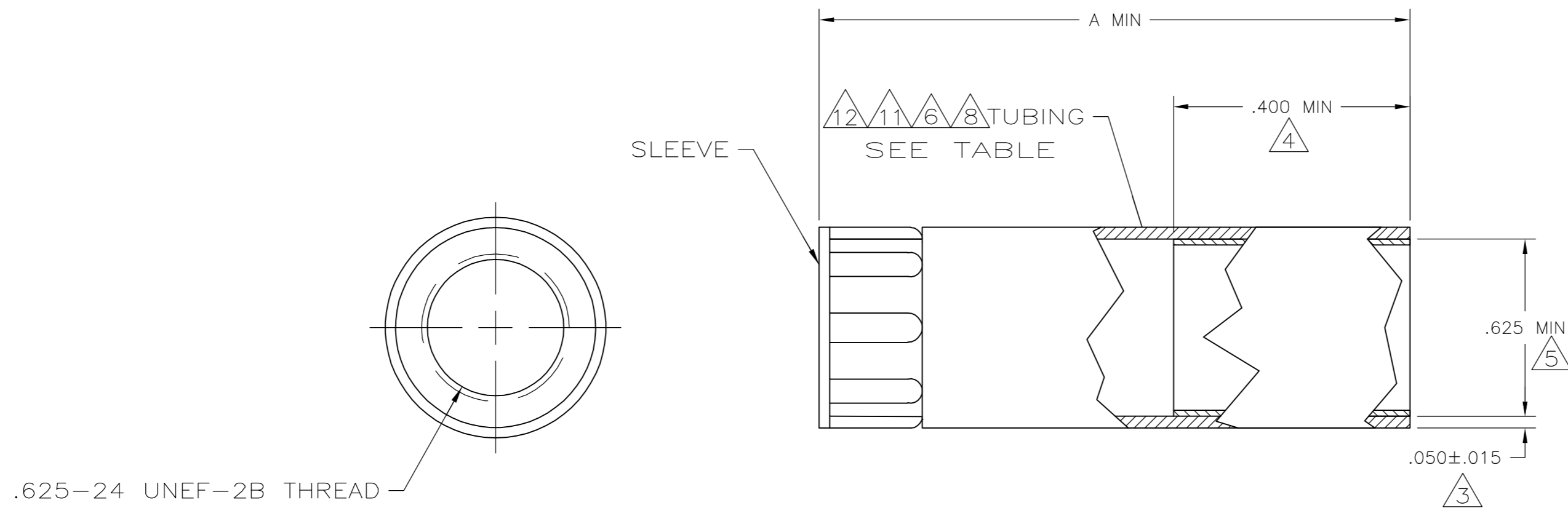


THIS DRAWING IS UNPUBLISHED. RELEASED FOR PUBLICATION
 © COPYRIGHT BY TYCO ELECTRONICS CORPORATION. ALL RIGHTS RESERVED.

LOC	DIST	REVISIONS			
P	LTR	DESCRIPTION	DATE	DWN	APVD
FT	0	AB	REVISED PER ECO-06-3669	2/20/06	SS SH



NOTES:

- 1 POLYOLEFIN, BLACK.
- 2 NYLON, BLACK.
- 3 NOMINAL WALL THICKNESS, EXPANDED.
- 4 LENGTH OF SEALANT.
- 5 EXPANDED INSIDE DIAMETER.
- 6 6.35[.250] MAXIMUM RECOVERED INSIDE DIAMETER.
- 7 ASSEMBLY WILL PASS 0.0703 KG PER SQ CENTIMETER [ONE POUND PER SQ IN.] WATER PRESSURE TEST.
- 8 121°C [250°F] SHRINK TEMPERATURE.
- 9 -55°C TO 110°C [-67°F TO 230°F] OPERATING TEMPERATURE.
- 10 THIS PART WILL ACCOMODATE $\phi 6.35 - \phi 15.24$ [$\phi .250 - \phi .600$] CABLE RANGE.
- 11 4.06[.160] MAXIMUM RECOVERED INSIDE DIAMETER.
- 12 ACTUAL SHAPE MAY VARY DUE TO PROCESS VARIANCE.

11	8	2.50	54010-4
6	8	1.62	54010-2
6	8	2.50	54010-1
RECOVERED INSIDE DIA		A	PART NUMBER

THIS DRAWING IS A CONTROLLED DOCUMENT.		DWN C.REIFSNYDER 09 APR 96	Tyco Electronics Corporation Harrisburg, PA 17105-3608	
DIMENSIONS: INCHES		CHK R.STONE 15 APR 95	NAME T.A.WETZEL	
TOLERANCES UNLESS OTHERWISE SPECIFIED:		APVD T.A.WETZEL 03 MAY 96	PRODUCT SPEC	
0 PLC ± - 1 PLC ± - 2 PLC ± - 3 PLC ± - 4 PLC ± - ANGLES ± - FINISH -		APPLICATION SPEC	STRAIN RELIEF ASSY, SHELL SIZE 11, CPC	
MATERIAL TUBING: 1 SLEEVE: 2	WEIGHT	SIZE A2	CAGE CODE 00779	DRAWING NO C=54010
CUSTOMER DRAWING			SCALE 2:1	SHEET 1 of 1
				RESTRICTED TO -
				REV AB